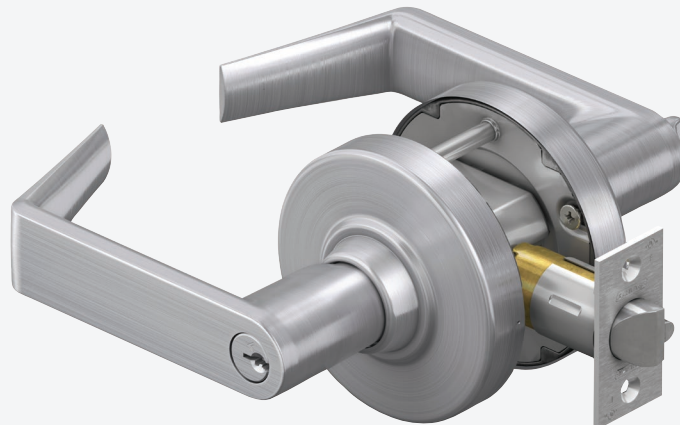




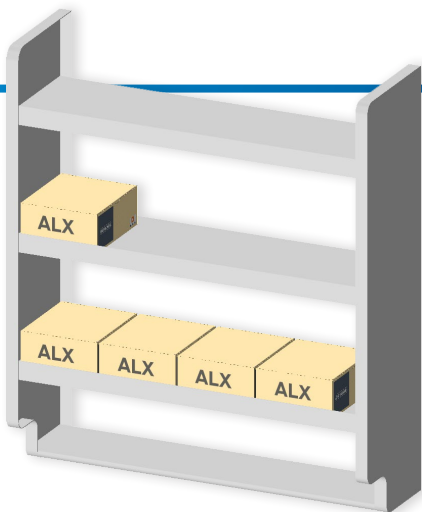
ALX Series

Grade 2 Modular,
Cylindrical Lock



ALX Series offers a unique approach to managing truck inventory. "X Factor" qualities born from modular design, define a lock that exceeds expectations.

The ALX Series delivers the proven strength and durability of Schlage with a modular, field-configurable design—letting you solve problems on the spot, reduce inventory, and dramatically cut callbacks when unplanned needs arise.



ALX CONFIGURED LOCKS EXAMPLE:

1. Five factory-configured locks in 10, 40, 50, 53, and 80 functions (KIL cylinder)
2. One finish – 626
3. One popular lever design

Use: 5 specific lock configurations only

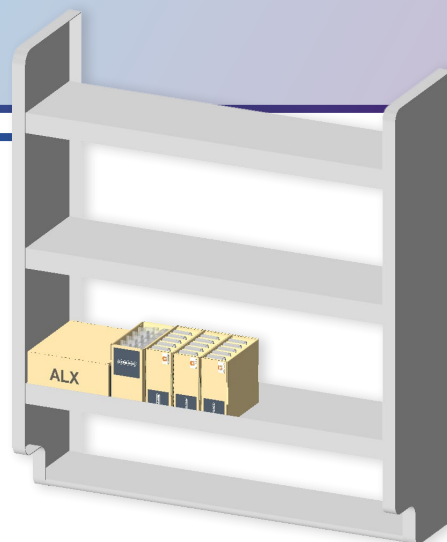
ALX KITTED LOCKS EXAMPLE:

1. One modular chassis supporting all functions and cylinder options in 626 finish
2. One locksmith function mix pack kit containing five functions: 10, 40, 50, 53, and 80 (4 functions also support Vandlgard)
3. One popular lever design in 3 variations: KIL, Button, and Closed

Truck inventory savings: 31–41%

Truck space savings: >50%

Creates any of five different lock configurations



The X Factor

Qualities Defining A Lock Designed To Exceed Expectations

Exceptional durability and expanded cylinder and lever options are just part of the ALX story. You also get extreme installation simplicity and speed – on the door in just over a minute; and excellent warranty coverage – a 10-year limited warranty, so you know it's going to last. In all, ALX Series is an unexpected value for both you and your customers. Designed as a modular lock and built on a single chassis, the Schlage ALX Series provides an advantage both on the job site and in the warehouse. Flexible buying options means you can purchase it configured, as lock less lever or in kitted form as separate chassis, function and lever kits each laddering up to the same list price.

Extreme Installation Simplicity

- Accommodates 1-3/8" to 1-3/4" door thickness with minimal chassis adjustment
- Captured screws in latch, strike and inside spring cage eliminate small, loose parts

Exceptional Durability

- Deep-drawn spindle with 5 points of lever engagement prevents droop and wobble
- Grade 1 compression springs

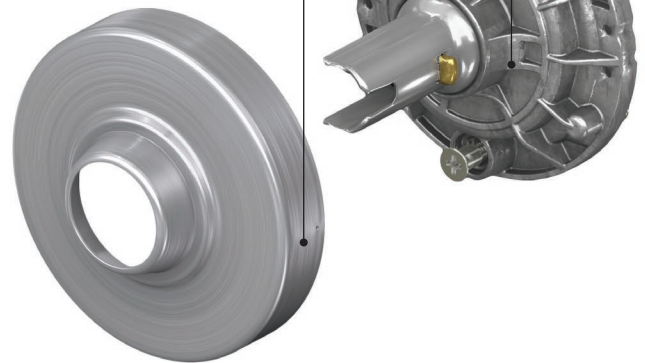
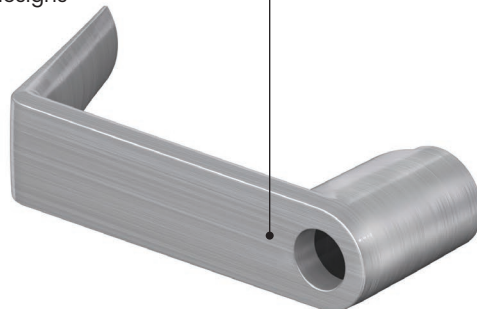
Chassis Kit Components

Expansive Lever Offering

Perfectly suites with ND Series levers to offer 10 total lever designs

Inside Lever Pack Options:

CL - closed (no hole)
BT - button

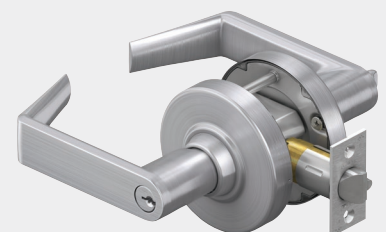


WHAT COULD YOU DO WITH THIS MUCH FLEXIBILITY?

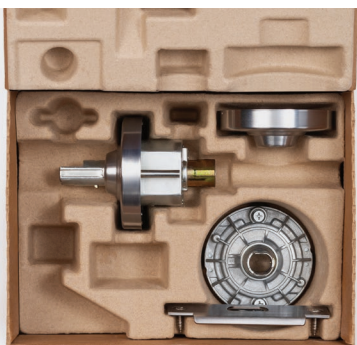
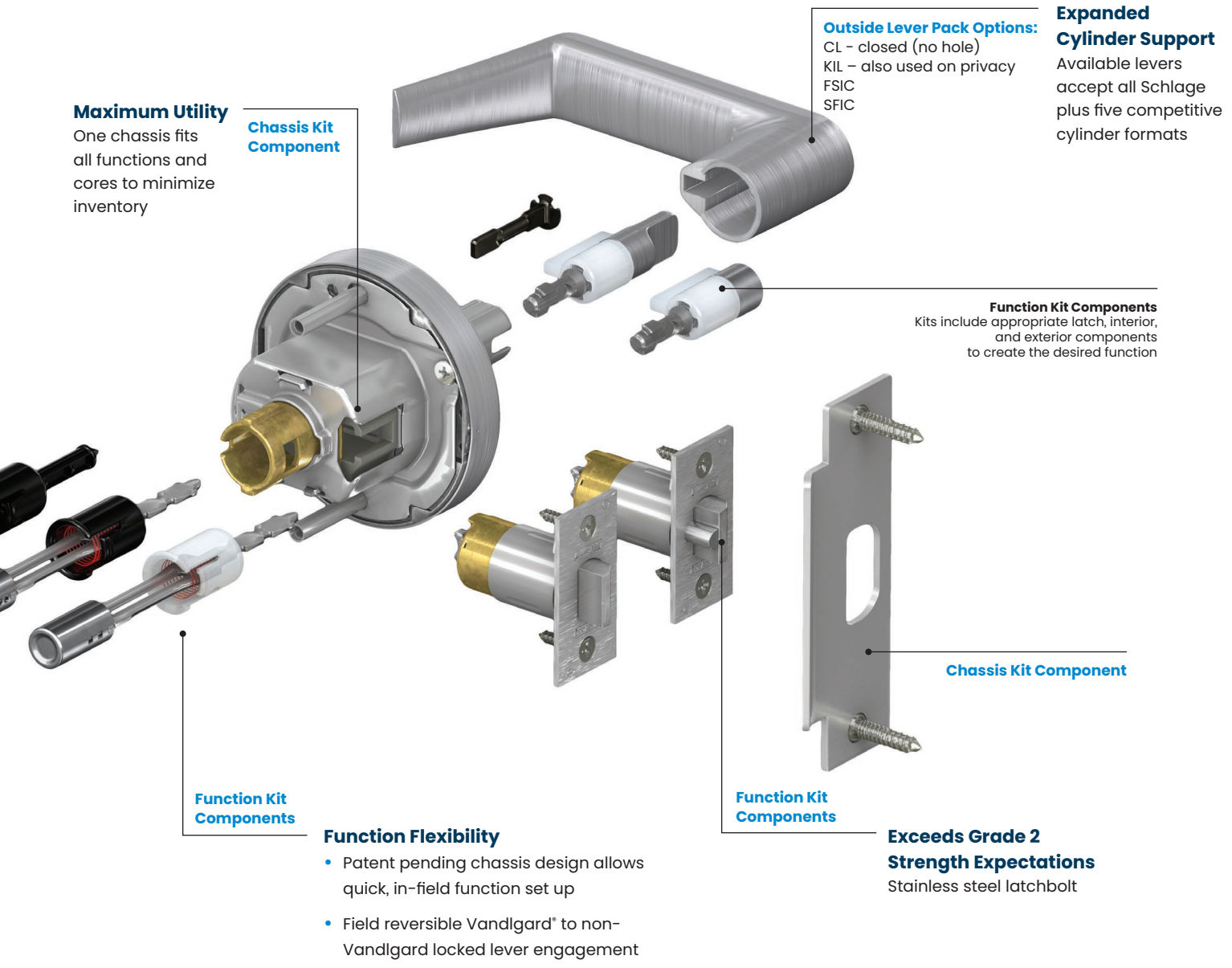
Just one chassis in your warehouse and on your trucks in your market's most prevalent finish and lever style can become whatever you may need in the moment:

- 1 chassis kit in 626 finish
- + 2 locksmith assortment function kits in both 2-3/4" and 2-3/8" backsets
- + 3-4 lever types (button, closed, and two to fit your most commonly used cylinders)
- = Any of 16 different lock configurations

Levers are sold in 5-packs of one design. You can mix and match your own variety packs and buy single function 5-packs or the locksmith function mix to help you optimize truck stock. (Locksmith mix function kit: 10 passage; 40 bath/bedroom privacy; 50 entrance/office; 53 entrance; and 80 storeroom)



Schlage ALX Series can be purchased as a fully configured lock or as configurable kits for warehouse and jobsite flexibility.



Chassis kits are chosen solely by desired finish. They are shipped non-Vandlgard and can be configured to Vandlgard without the need for extra parts.



Function kits are sold in packs of five defined by function, finish, and latch backset. Locksmith assortment kits are available.



Levers are sold in five packs of same design with inside levers defined by function, finish and design and outside levers by function/cylinder, finish and design.

Standard Specifications

Other options available, see catalog or price book for details.

Chassis	
Material	Steel, zinc dichromated for corrosion resistance
Door thickness	Fits 1-3/8" to 1-3/4" doors without adjustment
Handing	Non-handed
Functions	
Non-keyed	10 Passage; 25 Exit Lock; 40 Privacy; 44 Hospital Privacy; 170 Single dummy; 172 Double dummy
Keyed	50 Entrance/office; 53 Entrance; 70 Classroom; 80 Storeroom
Trim	
Levers	Pressure cast zinc, plated to match product finish specification
Roses	Wrought brass plated to match finish, 3-7/16" diameter
Latches & Strikes	
Backset	Standard: 2-3/4" Optional: 2-3/8", 3-3/4", 5"
Faceplate	1-1/8" x 2-1/4" square corners; options available (see price book)
Bolt	Standard: 7/8" bolt diameter, up to 1" housing diameter, 1/2" throw in Stainless Steel Optional: 1" bolt diameter with 1/2" throw, 3/4" anti-friction fire latch
Strike	Standard: ANSI curved lip (1-1/4" x 4-7/8" x 1-3/16") Optional: T strike (see catalog for details)
Cylinders & Key Systems	
Cylinder	Standard: Conventional 6-pin in solid brass Optional: FSIC, SFIC, and 7-pin SL cylinder formats plus less cylinder options made to fit non-Schlage cylinders from Corbin Russwin and Sargent
Keyway	Standard: 6-pin, patented Everest 29 S123 keyway Optional: Open, restricted, Primus®, master keying, and construction keying
Warranty	
	10-year limited
Certifications	
ANSI/BHMA	Certified A156.2-2022 Series 4000, Grade 2; exceeds standard for lever and spindle strength and durability
UL/cUL	All locks listed for A label single fire door 4' x 8' or 4' x 10' 3-hour; pair doors 8' x 8' 3-hour; and 8' x 10' 90-minute
UL437	Optional UL listed high-security cylinders
Other	ADA compliant levers (all designs); CA Fire Code compliant levers (all with return of 1/2" (64 mm) or less; ICC A117.1 compliant; meets Federal FF-H-106C Series 161; meets FL Building Code and Miami Dade requirements for hurricanes

Lever Designs



Athens (ATH)



Omega (OME)



Boardwalk (BRK)



Rhodes (RHO)



Broadway (BRW)



Saturn (SAT)



Latitude (LAT)



Sparta (SPA)



Longitude (LON)



Tubular (TLR)

Vandlgard® Protection

All locking functions feature field reversible Vandlgard® protection.

The outside lever rotates freely up and down when locked, limiting the ability of vandals to apply excessive force which could damage the lock.



Finishes



605
Bright Brass



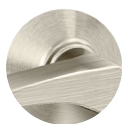
606
Satin Brass



612
Satin Bronze



613
Oil Rubbed Bronze



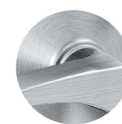
619
Satin Nickel



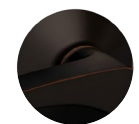
622
Matte Black



625
Bright Chrome



626/626AM
Satin Chrome



643e
Aged Bronze